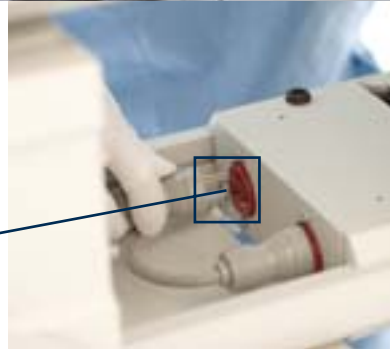
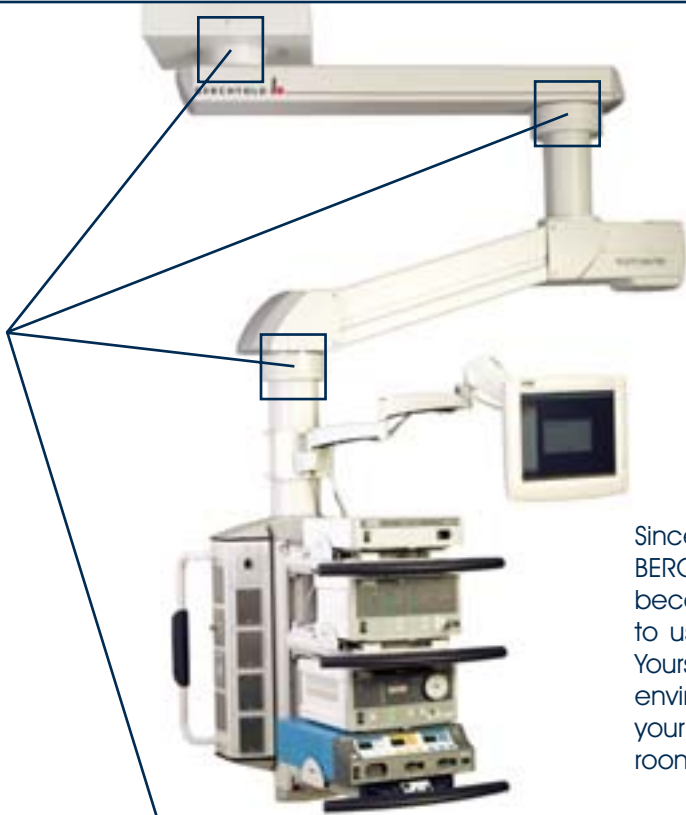




**TELETOM<sup>®</sup> EQUIPMENT  
MANAGEMENT SYSTEMS**



**CORD MANAGEMENT**  
THE COMBINATION OF INTEGRATED POWER  
OUTLETS AND OUR CORD STUFF BOX NEATLY  
ORGANIZES ELECTRICAL CORDS AND CABLES  
BY ROUTING THEM SAFELY AND CONVENIENTLY  
OUT OF THE WAY.



**EASY AND PRECISE POSITIONING**  
 THREE-POINT ACTIVE BRAKES COMBINE WITH UNIQUE  
 DUAL-ANGLE NEEDLE BEARINGS TO PROVIDE PRECISE,  
 EASY POSITIONING REQUIRING MINIMAL EFFORT.



Since developing the power boom concept in the 1960s, BERCHTOLD's TELETOM® Equipment Management System has become the world's most versatile, configurable and easy to use. With us, there's no such thing as a standard system. Yours will be custom-configured to enhance your specific environment. Designed to bring everything for every case within your grasp. And, we anticipate your future needs by building in room for growth and change.

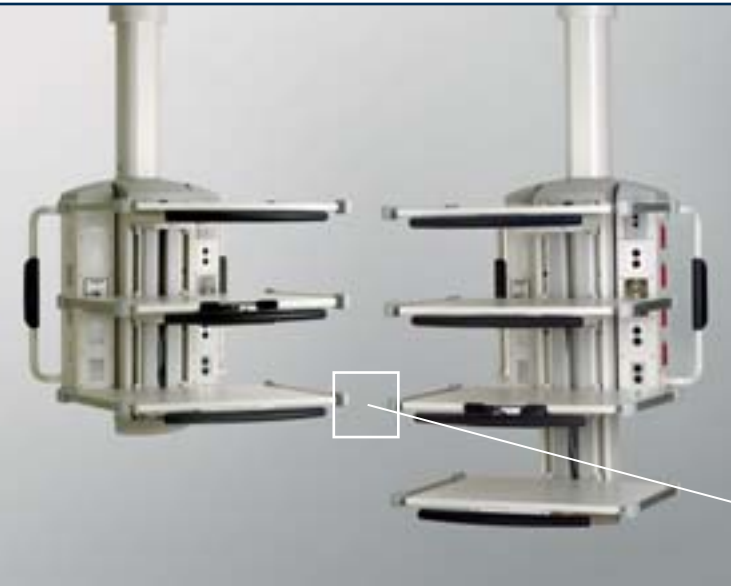
## SUPERIOR ERGONOMICS

Organization at its best. Neatly routed cords, cables and hoses. Critical power, gases and information delivered to and from the surgical site. Angled service panels for enhanced accessibility. Our TELETOMs provide an infrastructure that combines clinical ergonomics with emerging technologies to optimize workflow, increase the efficiency of your surgical team and improve patient outcomes.

Yet with all these capabilities, TELETOMs are surprisingly easy to maneuver. Needle bearings in addition to retracting electromechanical and pneumatic brakes allow virtually frictionless movement with no drift when engaged. Sturdy handles have built-in, easy-to-use visual controls, located outside the sterile field for clinician interaction and accurate positioning. And with a vertical articulation of 31", equipment placement and access is easier and more convenient for all users.

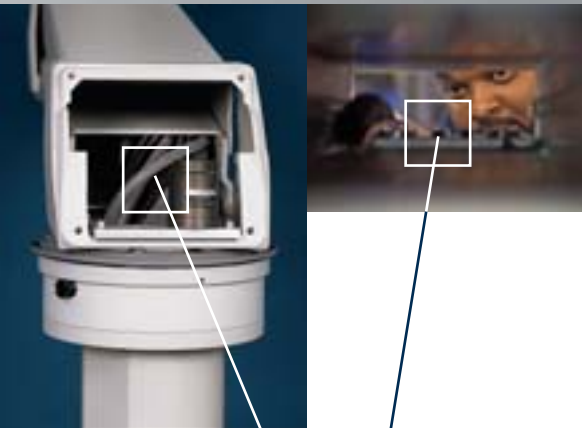
Simply put, TELETOMs provide clean, convenient access to critical equipment when and where you need it. And when you need the space, they can quickly and effortlessly be parked out of the way. All this facilitates an enhanced ergonomic environment and efficient room changeover with minimal effort.

ERGONOMOMIC



**ACCOMMODATING TECHNOLOGY**  
 WITH FREEDOM TO CHOOSE PARTNERS FOR INTEGRATED SERVICES INCLUDING VISUALIZATION, IMAGING AND DEVICE CONTROL, TELETOMS ACCOMMODATE CUSTOMER PREFERENCES AND ENSURE FUTURE ADAPTABILITY.

**UPGRADING MADE EASY**  
 UTILIZING THE SAME SERVICE MODULE, UPGRADING TELETOM TO A LONGER EQUIPMENT COLUMN AND MORE PLATFORMS IS EASY AND COST-EFFECTIVE. MINIMAL DOWNTIME TO RECONFIGURE ENSURES OPTIMAL OPERATING ROOM PRODUCTIVITY AND A LOWER LONG TERM COST OF OWNERSHIP.



**GENEROUS CAPACITY**  
 WITH A GENEROUS INNER CHANNEL, ALLOWING FOR TODAY AND TOMORROW'S POWER, GASES, VIDEO CABLING AND MORE TO BE ROUTED INTERNALLY, TELETOMS ARE DESIGNED WITH THE FUTURE IN MIND.

## MODULAR, ADAPTABLE AND HIGHLY CONFIGURABLE

Equipment and technologies are constantly changing and TELETOM designs are uniquely capable of being configured and upgraded to accommodate future needs. Whether it is simply adding accessories or cost-effectively upgrading to a longer equipment column and more platforms, TELETOM is prepared for the future and the changes it will bring.

TELETOM's accommodating modular design and configurability offers:

- increased inner channel size: providing for future expansion
- central service module accommodates up to 13 gases, 12 duplex receptacles, 9 electrical circuits and 5 low-voltage panels, optional TeleVac® Smoke Evacuation System and nitrogen control panels
- multiple suspension options providing range of motion of up to 330°; optional articulating arm provides 31" of vertical movement
- anesthesia interlock which offers integrated movement of anesthesia equipment
- choice of equipment columns
- choice of platform types (conform, standard, wide or a combination)
- adaptable infrastructure allows for the selection of your visualization and/or cabling partner
- TC Equipment Management System accommodates lights, ChromoView monitor arms and equipment

# MODULAR

# VERSATILE



**USA MANUFACTURED**  
EACH TELETOM IS CUSTOM-CONFIGURED,  
ASSEMBLED AND TESTED PRIOR TO SHIPPING  
ENSURING GREATER RELIABILITY AND A MORE  
TIMELY ON-SITE INSTALLATION.

## ACCESSORIES

Customizing your TELETOM with quality accessories from BERCHTOLD adds functionality to your equipment management system. Following are some of our most requested accessories with a complete inventory of accessories available at our website: [www.berchtoldusa.com](http://www.berchtoldusa.com).

- Rear Mount Medical Rails
- Basket
- Suction Canister Slide
- ESU Foot Pedal Storage
- TeleVac® Smoke Evacuation System
- IV Pole
- Flip up Keyboard Tray
- Drawer
- Flat Panel Tube Mount
- Flat Panel Shoulder Mount
- Flat Panel Equipment Column Mount
- GCX™ Mount
- CO<sub>2</sub> Tank Holder
- Platforms

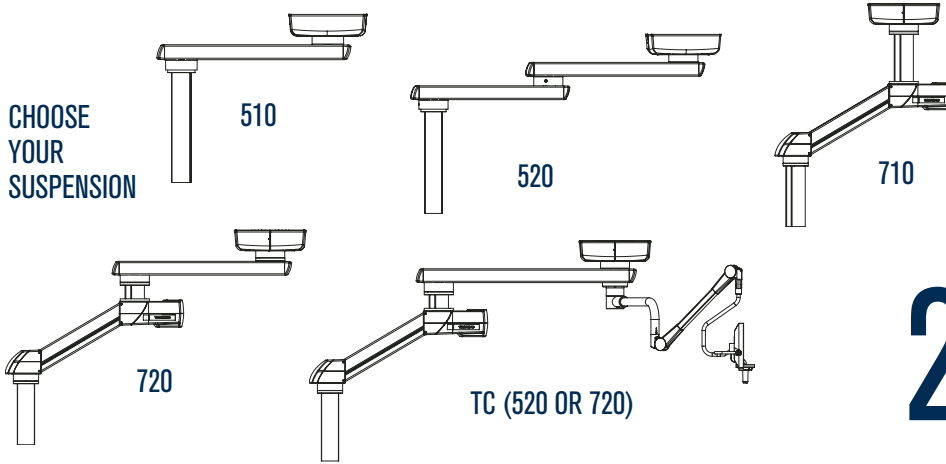


**TELEVAC SMOKE  
EVACUATION SYSTEM**  
THE EASY TO USE TELEVAC SYSTEM  
FURTHER REDUCES FLOOR CLUTTER  
AND MINIMIZES NOISE SINCE THE  
SUCTION SOURCE IS ABOVE THE CEILING.

# 5 STEPS TO CUSTOM-CONFIGURE YOUR TELETOM 500 OR 700 SERIES

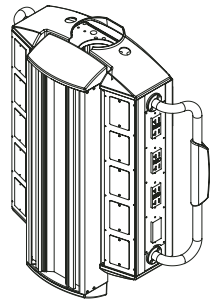
1

CHOOSE YOUR SUSPENSION



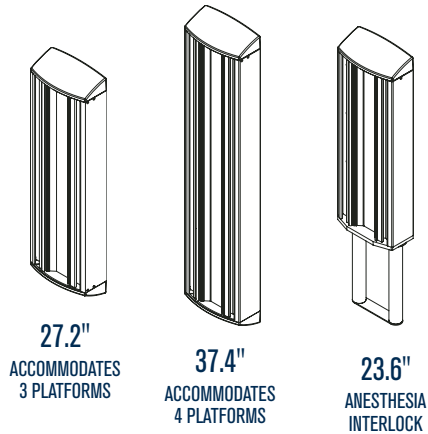
2

CONFIGURE YOUR SERVICE MODULE



3

CHOOSE YOUR EQUIPMENT COLUMN



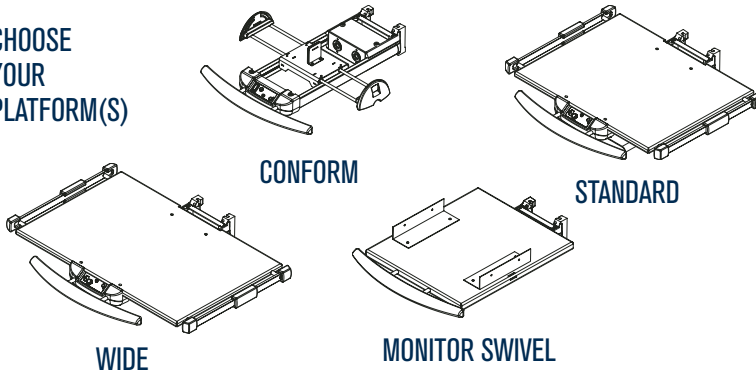
## CENTRAL SERVICE COLUMN

SPECIFY YOUR:

- NUMBER OF MEDICAL GASES
- TYPES OF MEDICAL GASES
- NUMBER OF RECEPTACLES
- NUMBER OF ELECTRICAL CIRCUITS
- LOW VOLTAGE PANELS
- TELEVAC SMOKE EVACUATION
- NITROGEN CONTROL PANELS

4

CHOOSE YOUR PLATFORM(S)



5

UPGRADE AT ANY TIME FOR AN ECONOMICAL, LONG-TERM EQUIPMENT MANAGEMENT SOLUTION

## COMMON CLINICAL APPLICATIONS & SPECIFICATIONS



**SURGERY EQUIPMENT  
MANAGEMENT SYSTEM  
(500 & 700 SERIES)**



**TC EQUIPMENT  
MANAGEMENT SYSTEM  
(500 & 700 SERIES)**



**ANESTHESIA EQUIPMENT  
MANAGEMENT SYSTEM  
(500 & 700 SERIES)**

SUSPENSIONS	510	520	710	720
LOAD CAPACITY	UP TO 450 LBS / 204KG	UP TO 450 LBS / 204KG	UP TO 350 LBS / 159KG	UP TO 350 LBS / 159KG
TOP ARM REACH, MAX.	39.4" / 1000MM	51.2" / 1300MM	35.4" / 900MM	51.2" / 1300MM
BOTTOM ARM REACH, MAX.		39.4" / 1000MM		35.4" / 900MM
VERTICAL RANGE OF MOVEMENT			31" / 787MM	31" / 787MM
RANGE OF ROTATION AT ALL POINTS	330°	330°	330°	330°

NOTE: 520 AND 720 TC SERIES ONLY AVAILABLE WITH 51.2" / 1300MM TOP ARM FOR USE WITH LIGHT OR FLAT PANEL ARM COMBINATIONS.

SERVICE MODULE	CENTRAL SERVICE COLUMN		EQUIPMENT COLUMN	
	NUMBER OF MEDICAL GASES	UP TO 13		
NUMBER OF RECEPTACLES	UP TO 12			
NUMBER OF ELECTRICAL CIRCUITS	UP TO 9			
LOW VOLTAGE PANELS	UP TO 5			
OTHER OPTIONS	TELEVAC SMOKE EVACUATION, NITROGEN CONTROL PANELS			
SIZE			27.2" / 690MM	37.4" / 950MM
NUMBER OF PLATFORMS			UP TO 3	UP TO 4
				N/A ANESTHESIA INTERLOCK

PLATFORMS	CONFORM	STANDARD PLATFORM	WIDE PLATFORM	MONITOR SWIVEL
WIDTH	VARIABLE UP TO 21" / 533MM	25" / 635MM	30" / 762MM	FOR CRT MONITOR
DEPTH	19.7" / 500MM	19.7" / 500MM	19.7" / 500MM	19.7" / 500MM
WEIGHT CAPACITY	75 LBS / 34KG	75 LBS / 34KG	75 LBS / 34KG	75 LBS / 34KG



**ANESTHESIA EQUIPMENT  
MANAGEMENT SYSTEM  
(400 & 600 SERIES)**



**ER EQUIPMENT  
MANAGEMENT SYSTEM  
(500 & 700 SERIES)**

SUSPENSIONS	420	610	620
TOP ARM REACH, MAX.	39.4" / 1000MM	35.4" / 900MM	39.4" / 1000MM
BOTTOM ARM REACH, MAX.	39.4" / 1000MM		35.4" / 900MM
VERTICAL RANGE OF MOVEMENT		29" / 736MM	29" / 736MM
RANGE OF ROTATION AT ALL POINTS	330°	330°	330°

NOTE: 420 AND 620 TC SERIES ONLY AVAILABLE WITH 51.2" / 1300MM TOP ARM FOR USE WITH LIGHT OR FLAT PANEL ARM COMBINATIONS.

SERVICE MODULE	420/610/620
NUMBER OF MEDICAL GASES	UP TO 8
NUMBER OF DUPLEX RECEPTACLES	UP TO 6
NUMBER OF SIMPLEX RECEPTACLES	UP TO 1
LOW VOLTAGE PANELS	UP TO 4
SUCTION CANISTER SLIDES	NONE OR 2
FLAT PANEL OPTIONS	TUBE MOUNTED
PLATFORMS	NONE

LEXIBLE

## INTRODUCING THE 400 & 600 SERIES

While the hallmark of the 500 and 700 series is its full and custom configuration, TELETOM's product line has recently expanded to incorporate the 400 and 600 series. A smaller, lower cost alternative primarily for anesthesia and perfusion applications, the 400 and 600 series features TELETOM's signature ergonomics and design profile. Each with friction brakes and utilizing the same service module, this series is offered in three basic configurations:

- two arms, fixed height (420),
- one arm, vertically articulating (610)
- two arms, vertically articulating (620)



For over 85 years, BERCHTOLD has been a world leader in the design and manufacture of quality surgical equipment. With our focus on the operating room, we deliver best in class products, experienced planning and project management, and service with a personal touch. We measure our success by the quality of our customer and employee relationships.

Our products and services ...

- CHROMOPHARE® surgical and examination lights
- ChromoVision® video and camera systems
- ChromoView monitor arms
- TELETOM® equipment management systems
- OPERON® surgical tables including a full range of accessories
- SUPERSUITE® custom surgical environments
- Design, consulting, project management and customer support
- Factory trained service and installation support

We invite your inquiry and the opportunity to assist in the planning, design and installation of your next surgical environment.



**BERCHTOLD Corporation**  
1950 Hanahan Road  
Charleston, South Carolina 29406  
[www.berchtoldusa.com](http://www.berchtoldusa.com)  
800.243.5135