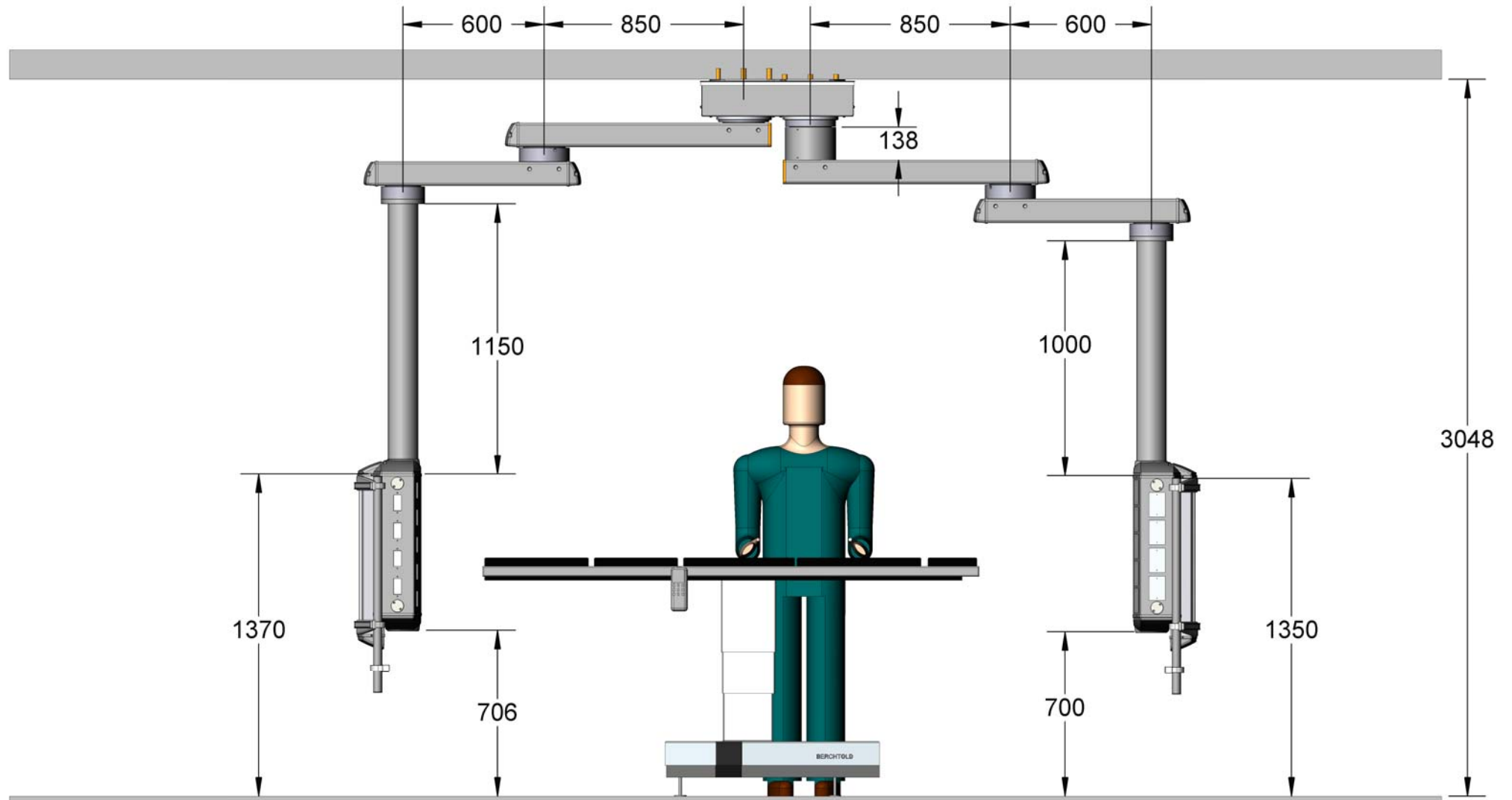
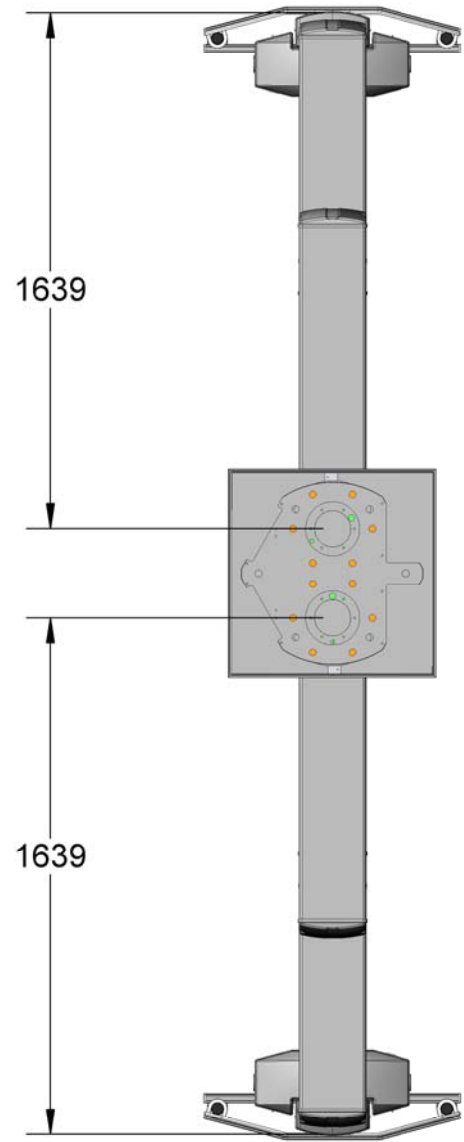


INTERNATIONAL TYPICAL CRITICAL CARE TANDEM BOOM CONFIGURATION - TT-52C / TB-52C

DO NOT SCALE DRAWING



Typical ICU Boom				
Country	Standard Gas	Standard Gas Offering	Standard Electric	Standard Power Offering
Spain - Option 1	Carbueros (max. 14)	3 air, 3 oxygen, 3 vac	Schuko (max. 11)	11
Spain - Option 2	Pegisdan (max. 14)	3 air, 3 oxygen, 3 vac	Schuko (max. 11)	11
Germany/China	DIN (max. 10)	3 air, 3 oxygen, 3 vac	Schuko (max. 11)	11
Australia - Option 1	ESCO (max. 13)	3 air, 3 oxygen, 3 vac	Clipsal (max. 24)	24
Australia - Option 2	Comweld (max. 9)	3 air, 3 oxygen, 3 vac	Clipsal (max. 24)	24
United Kingdom	GEM 10 (max. 9)	3 air, 3 oxygen, 3 vac	UK Blue Med Outlet (max. 11)	11
Italy	Delta P (max. 11)	3 air, 3 oxygen, 3 vac	Schuko (max. 11)	11
France	Unknown at this time	3 air, 3 oxygen, 3 vac	Unknown at this time	

NOTE: Any changes to the standard will result in a predetermined upcharge. No low voltage outlets provided standard.

NOTES:

- NO LOW VOLTAGE OPTIONS PROVIDED - THIS WILL BE UP CHARGED TO THE CUSTOMER IF REQUESTED.
- FRICITION BRAKES

I confirm the ceiling height and agree with the dimensions as drawn and understand that any changes made after an order is in production will result in a change order fee and a shipment delay.

PROJECT:
TYPICAL CRITICAL CARE TANDEM CONFIGURATION - INTERNATIONAL, TT-52C / TB-52C

BERCHTOLD Corp.
1950 Hanahan Rd.
N. Charleston, SC 29406
(800)243-5135

REV:	DATE:	REV BY:	DESCRIPTION:
-	-	-	-
-	-	-	-
-	-	-	-

Authorized Signature:
Title: _____ Date: _____
Delivery Date Required:

SCALE: **1:24** QUANTITY:
FILENAME: **M1009002E_4**
SALES: **MARKETING**
DRAWN BY: **JHM** DATE: **10-2-2009**

