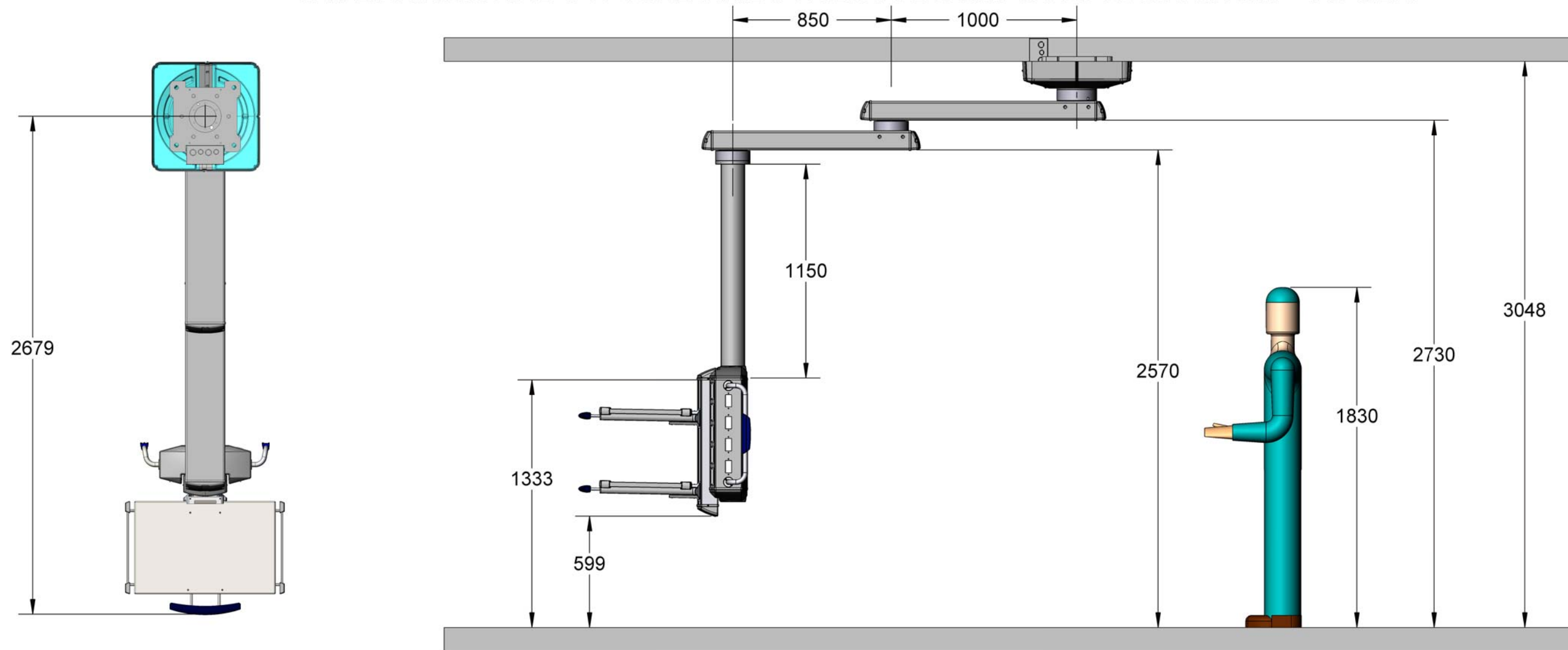


INTERNATIONAL TYPICAL ANESTHESIA BOOM CONFIGURATION - TS-52A

DO NOT SCALE DRAWING



Typical Anesthesia Boom				
Country	Standard Gas	Standard Gas Offering	Standard Electric	Standard Power Offering
Spain - Option 1	Carbueros (max. 14)	2 med air, 2 vac, 2 O2, 1 CO2, 1 N2, 1 N20, and 1 AGFS	Schuko (max. 11)	11
Spain - Option 2	Pegisdan (max. 14)	2 med air, 2 vac, 2 O2, 1 CO2, 1 N2, 1 N20, and 1 AGFS	Schuko (max. 11)	11
Germany/China	DIN (max. 10)	2 med air, 2 vac, 2 O2, 1 CO2, 1 N2, 1 N20, and 1 AGFS	Schuko (max. 11)	11
Australia - Option 1	ESCO (max. 13)	2 med air, 2 vac, 2 O2, 1 CO2, 1 N2, 1 N20, and 2 Waste Gas Options	Clipsal (max. 24)	24
Australia - Option 2	Comweld (max. 9)	2 med air, 2 vac, 2 O2, 1 CO2, 1 N2, 1 N20, and 2 Waste Gas Options	Clipsal (max. 24)	24
United Kingdom	GEM 10 (max. 9)	1 med air, 2 vac, 2 O2, 1 CO2, 1 N2, 1 N20, and 1 AGSS	UK Blue Med Outlet (max. 11)	11
Italy	Delta P (max. 11)	2 med air, 2 vac, 2 O2, 1 AGSS, 1 CO2, 1 N2, 1 N20, and 1 AGSS active unit	Schuko (max. 11)	11
France	Unknown at this time	Unknown at this time	Unknown at this time	

NOTE: Any changes to the standard will result in a predetermined upcharge. No low voltage outlets provided standard.

NOTES:

- SERVICE MODULE SHALL INCLUDE 2 POWERED PLATFORMS
- NO LOW VOLTAGE OPTIONS PROVIDED - THIS WILL BE UP CHARGED TO THE CUSTOMER IF REQUESTED.
- PNEUMATIC AND ELECTROMECHANICAL BRAKES

I confirm the ceiling height and agree with the dimensions as drawn and understand that any changes made after an order is in production will result in a change order fee and a shipment delay.		PROJECT: TYPICAL ANESTHESIA CONFIGURATION - INTERNATIONAL, TS-52A	
Authorized Signature:		SCALE: 1:24	QUANTITY:
Title:	Date:	FILENAME: M1009002E_2	
Delivery Date Required:		SALES MARKETING	
		DRAWN BY: JHM	DATE: 10-2-2009

BERCHTOLD Corp.
1950 Hanahan Rd.
N. Charleston, SC 29406
(800)243-5135



REV:	DATE:	REV BY:	DESCRIPTION:
-	-	-	-
-	-	-	-
-	-	-	-